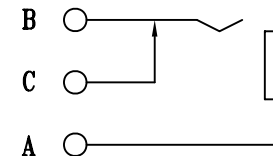
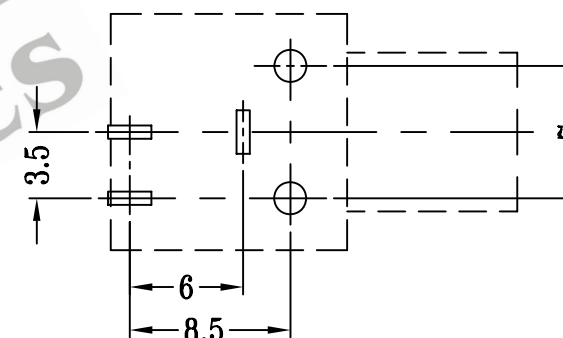
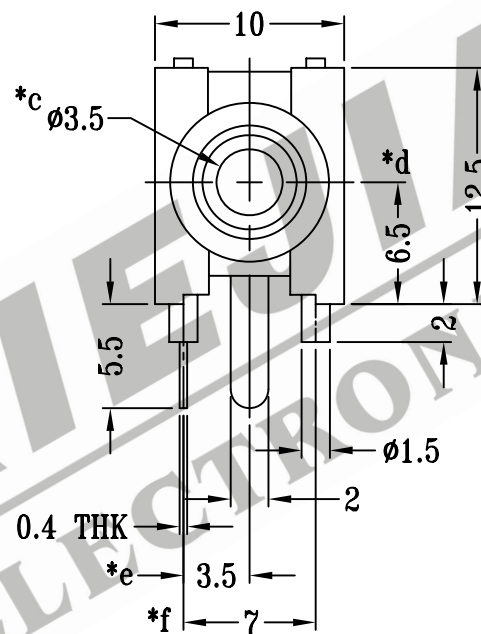
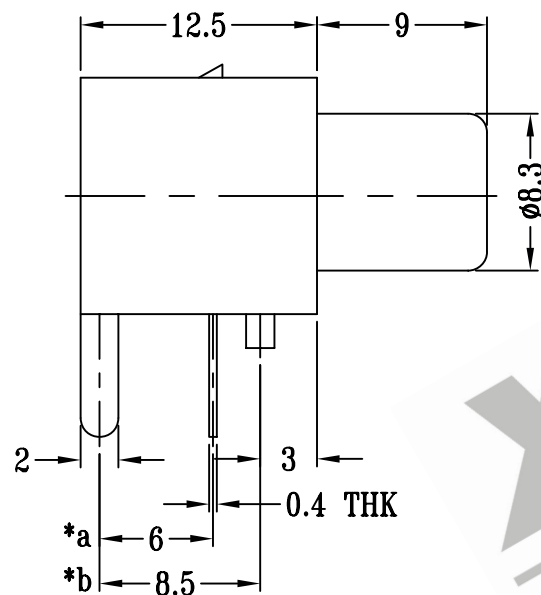


CAD FILE :



SCHEMATIC



P.C.B LAYOUT

注：“*”表示关键尺寸（6个）

NO.	PART NAME	MATERIAL	QTY.	FINISHING	TOLERANCE UNLESS SPECIFIED	SHENZHEN XIEJIA ELECTRONICS CO.,LTD.				
8					WITHIN: 1.5±0.1mm OVER : 1.5±0.2mm	ISSUE	DATE	DESCRIPTIONS	APPD	
7										
6										
5	SPRING TERMINAL	PBS STRIP	1	Ag PLATED OVER Ni PLATED	TITLE : RCA JACK MODEL : RC-141 ALL MATERIALS MUST BE COMPLIANT TO ROHS	UNIT : M M	SCALE : 5 : 2	DRWG NO : XJ-DR-RC141-00		
4	TERMINAL B	BRASS STRIP	1	Ag PLATED OVER Ni PLATED				DWN.	ZHOUYU	2004-3-16
3	SLEEVE	BRASS STRIP	1	Cr PLATED				CHK'D	FANGYING	2004-3-16
2	TERMINAL A	BRASS STRIP	1	Ag PLATED OVER Ni PLATED				APPD.	KANGXINAN	2004-3-16
1	CASE	ABS	1	BLACK						